

Y11 Applied Technology Worksheet # 7

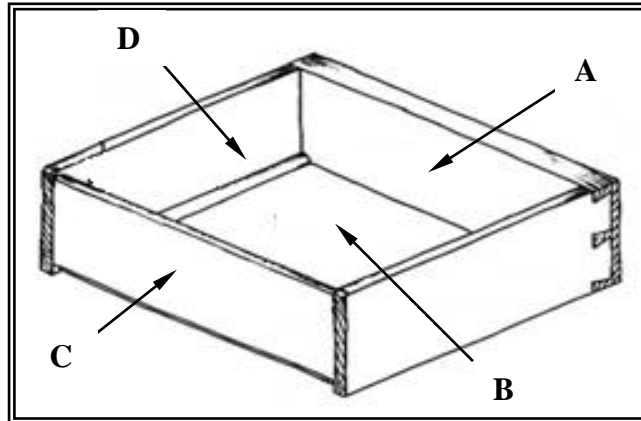
Note: Students to attempt this at the back of their exercise book.

QUESTION 7

JOINERY

(10 marks)

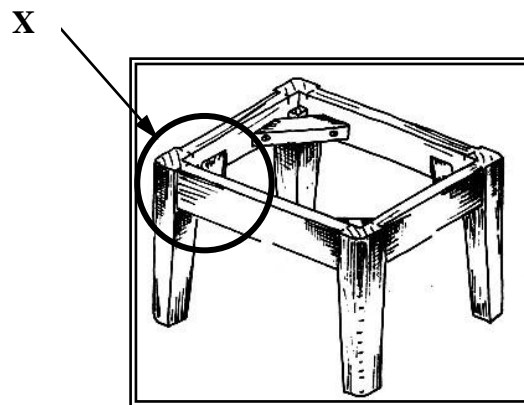
(a) Study the diagram given below and answer the questions that follow.



Source: *Year 11 Applied Technology*, Ministry of Education, 2015.

- (i) Label parts **A** and **B**. **(2 marks)**
- (ii) Sketch the exploded view of **A**, **B**, **C** and **D**. **(3 marks)**

(b) Study the diagram given below and answer the questions that follow.



Source: *Year 11 Applied Technology*, Ministry of Education, 2015.

- (i) Sketch the exploded view of a suitable joint labelled **X** above. **(3 marks)**
- (ii) Explain the process in making the joint stated in (i) above. **(2 marks)**

